

A

B

C

D

1

2

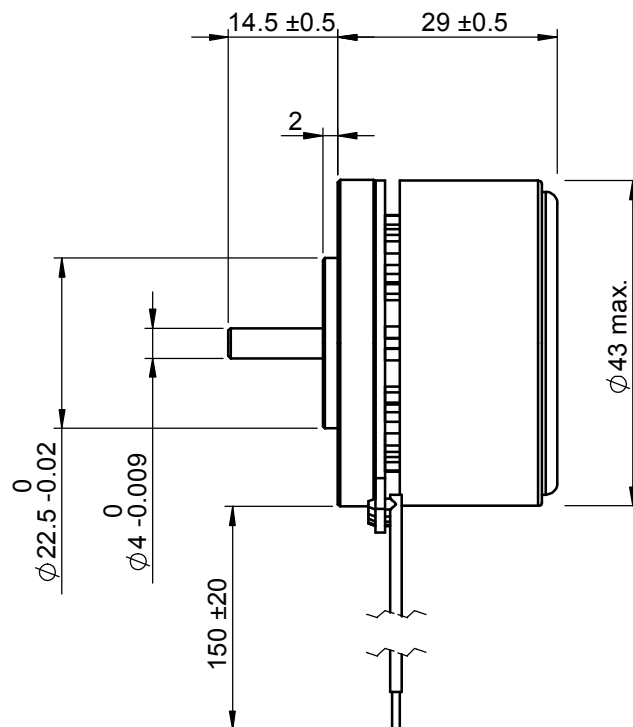
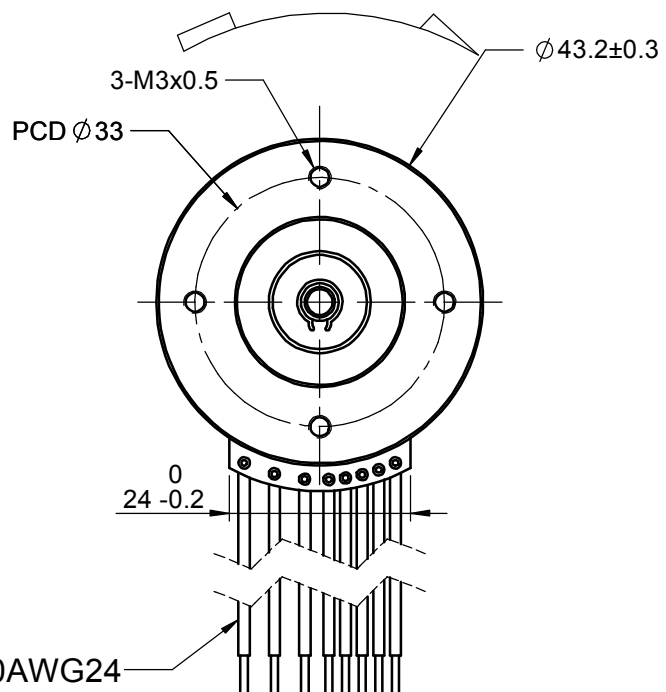
3

4

5

6

DIRECTION OF ROTATION



A

B

C

D

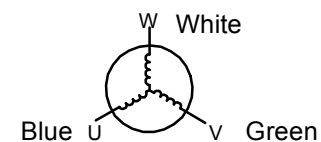
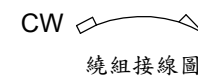
線徑為 UL1430AWG24

Hall 接線表

Pin	Color	功能(說明)
1	Blue	Hall U
2	Black	GND
3	Green	Hall V
4	Red	+5V
5	White	Hall W

Motor 接線表

Pin	Color	功能(說明)
1	Grey	Motor U
2	Brown	Motor V
3	Yellow	Motor W



MODEL		NO LOAD		AT MAXIMUM EFFICIENCY					THIRD ANGLE PROJECTION ALL DIMENSION ARE IN MM (UNLESS OTHERWISE SPECIFIED)	製圖 設計 審核 材料 繪製比例:	JANE	Cheshire Electric Company, LLC		
NOMINAL	48V DC	SPEED RPM	CURRENT A	SPEED RPM	CURRENT A	TORQUE g-cm	OUTPUT W	EFF %				Part No JB43-C011B477	Name DC Brushless motor	REV. NO.
		7450	0.26	6403	1.59	1018.4	68.5	89.6	2015/4/17					

1

2

3

4

5

6